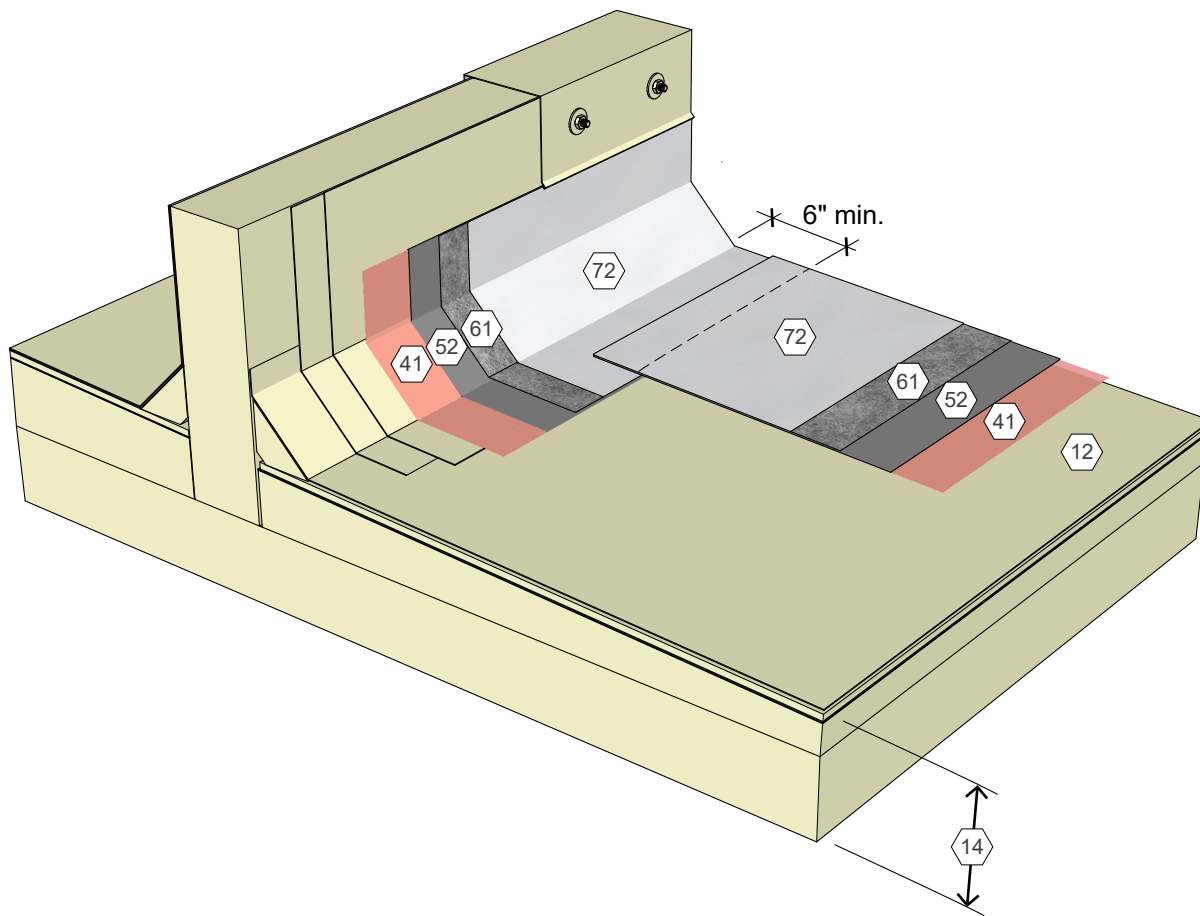


KEY NOTES

- ① Existing Single-Ply Membrane
- ④ Existing Structural Deck and Insulation Assembly
- ④ Approved Primer
- ⑤ AlphaGuard BIO Base Coat
- ⑥ AlphaGuard Glass Mat or Permafab
- ⑦ AlphaGuard BIO Top Coat

AlphaGuard® BIO Restoration Detail, Single-Ply, Equipment Support
 Detail 13101





KEY NOTES

- 12 Existing MB or Smooth BUR
- 14 Existing Structural Deck and Insulation Assembly
- 41 Approved Primer
- 52 AlphaGuard BIO Base Coat
- 61 AlphaGuard Glass Mat or Permafab
- 72 AlphaGuard BIO Top Coat

AlphaGuard® BIO Restoration Detail, MB or Smooth BUR, Equipment Support
Detail 13102